



**TECHLED**

Techled Elektronik San. Tic. A.Ş.



# TechLED Lighting Systems

## Ex-Proof Catalogue

# Safe. Powerful. Proven.

TechLED lighting goes beyond brightness — it delivers safety. Every product is engineered and certified for hazardous areas, meeting the strictest ATEX standards to ensure reliability in explosive environments.

TechLED differs from other manufacturers by delivering lighting solutions that combine uncompromising safety, maximum efficacy, and proven durability in the harshest industrial conditions.

Years of engineering expertise, rigorous testing, and proven field performance establish TechLED as a trusted partner for refineries, chemical plants, and heavy industries worldwide.

TechLED provides lighting technology that safeguards people, protects operations, and sets new benchmarks in quality and compliance.





## Why TechLED?

- TechLED luminaries are designed and tested to meet ATEX requirements, ensuring safe operation in explosive atmospheres where reliability cannot be compromised.
- TechLED achieves industry-leading efficacy by integrating the most advanced LEDs, drivers, optics, and thermal management systems into every fixture.
- TechLED's durable anodized aluminum alloy housings, high-impact resistance, and electrostatic powder coating provide long-term protection against extreme industrial conditions.
- TechLED ensures maximum energy savings through precise lux level calculations and careful planning of each project. By designing for the full lifecycle of the luminaires, both operating costs and maintenance requirements are minimized over time.
- From optional configurations to fully customized designs, TechLED develops lighting systems to meet the unique requirements of each client and project.

# Contents

<b>TL-EX-SR-XX SMD</b>	<b>04</b>
-----	
<b>TL-EX-SR-XX COB</b>	<b>06</b>
-----	
<b>TL-EX-BS-XXX</b>	<b>09</b>
-----	
<b>TL-EX-TLL-XXX-XXX</b>	<b>11</b>
-----	
<b>TL-EX-TLL-TLL-XXX -XXX TANK LEVEL LIGHTING</b>	<b>13</b>
-----	
<b>TL-EX-TLL-EXT -XXX EX PROOF EMERGENCY EXIT LIGHTING</b>	<b>15</b>
-----	
<b>TL-EX-MR-X1-X2-X3-X4-X5</b>	<b>18</b>
-----	
<b>TL-EX-BR-X1-X2-X3-X4-X5</b>	<b>21</b>
-----	
<b>TLP-P-EX-XXX</b>	<b>24</b>
-----	
<b>TL-EX-75 LNR-X1-1M-75W</b>	<b>26</b>
-----	
<b>TL-EX-LNR- X1-2M-150W</b>	<b>28</b>
-----	
<b>TL-EX-LNR-X1-3M- 225W</b>	<b>30</b>
-----	
<b>TL-EX-LNR-EXT-1M-10W EX PROOF EMERGENCY EXIT LIGHTING</b>	<b>32</b>



## TL-EX-SR-XX SMD Explosion Proof



## TL-EX-SR-XX SMD Explosion Proof

TechLED provides safe lighting in explosive environments with its ATEX-certified solutions. Trusted for years in various industries, TechLED lighting fixtures have become a benchmark for hazardous area solutions.



Zone 1  
Zone 21



·EN 60079-0  
·EN 60079-1  
·EN 60079-31

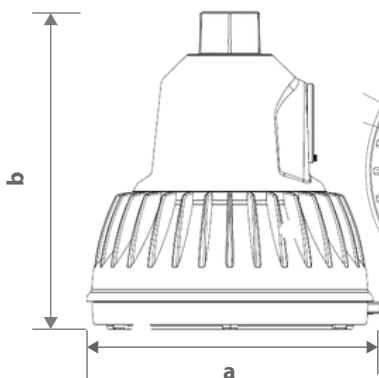


## TL-EX-SR-XX SMD Explosion Proof

### Specifications / Dimensions:

Light Source	: SMD Power Led
Input Voltage	: 198 V - 264 V AC
Optional Input Voltage	: 24 VAC / VDC
Power Range	: 10 W - 55 W
Power Factor	: $\geq 95$
Luminaire Efficiency	: 135-165 lm/W
Color Temperature	: 2700-6500 Kelvin
Lifespan	: Up to 100.000 hours
Housing	: Special Aluminium Alloy
Operating Temp	: -40°C - +50°C
Cooling	: Specially Designed Cooling Panel
Light Distribution	: 30°- 60° - 90° - 120° Or optional
Optic Interface	: Tempered Glass
Diffused Optic	: Optional
Protection Class	: IP66
Impact Resistance Class	: Aluminum Housing: IK10 & Glass : IK07-IK08-IK09 Options
Mounting	: Conduit
Optional Mounting	: Wall, Ceiling, Pole, Mast ,Portable, Magnetic Portable, Universal Kit
Optional	: Wire Guard
Diameter (a)	: 180 mm
Length (b)	: 200 mm
Weight	: 3 kg

### Technical Drawing



Zone 1  
Zone 21

10-30W  
II 2GD Ex db IIC T6  
Gb Ex tb IIIC T6 Db

30-55W  
II 2GD Ex db IIC T4  
Gb Ex tb IIIC T4 Db



## TL-EX-SR-XX COB Explosion Proof



## TL-EX-SR-XX COB Explosion Proof

TechLED provides safe lighting in explosive environments with its ATEX-certified solutions. Trusted for years in various industries, TechLED lighting fixtures have become a benchmark for hazardous area solutions.



Zone 1  
Zone 21



ISO 27001:2022



·EN 60079-0  
·EN 60079-1  
·EN 60079-31

5  
years  
Warranty

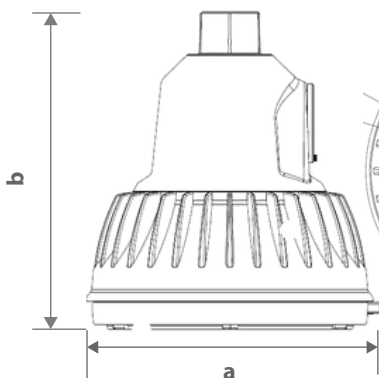


## TL-EX-SR-XX COB Explosion Proof

### Specifications / Dimensions:

Light Source	: COB LED
Input Voltage	: 198 V - 264 V AC
Optional Input Voltage	: 24 VAC / VDC
Power Range	: 10 W - 55 W
Power Factor	: $\geq 95$
Luminaire Efficiency	: 135-165 lm/W
Color Temperature	: 2700-6500 Kelvin
Lifespan	: Up to 60.000 hours
Housing	: Special Aluminium Alloy
Operating Temp	: -40°C - +50°C
Cooling	: Specially Designed Cooling Panel
Light Distribution	: 60° - 90° - 120° Or optional
Optic Interface	: Tempered Glass
Diffused Optic	: Optional
Protection Class	: IP66
Impact Resistance Class	: Aluminum Housing: IK10 & Glass : IK07-IK08-IK09 Options
Mounting	: Conduit
Optional Mounting	: Wall, Ceiling, Pole, Mast ,Portable, Magnetic Portable, Universal Kit
Optional	: Wire Guard
Diameter (a)	: 180 mm
Length (b)	: 200 mm
Weight	: 3 kg

### Technical Drawing



Zone 1  
Zone 21

10-30W  
II 2GD Ex db IIC T6  
Gb Ex tb IIIC T6 Db

30-55W  
II 2GD Ex db IIC T4  
Gb Ex tb IIIC T4 Db

**TL-EX-SR-XX COB Explosion Proof**

**All handles, stands and mountings are produced with inox.**

**Portable Solutions**



**Magnetic Portable Solutions**



**Wall-Ceiling Mounting**



**Conduit Mounting**



**Pipe-Pole Mounting**





## TL-EX-BS-XXX Explosion Proof



## TL-EX-BS-XXX Explosion Proof

TechLED provides safe lighting in explosive environments with its ATEX-certified solutions. Trusted for years in various industries, TechLED lighting fixtures have become a benchmark for hazardous area solutions.



ISO 27001:2022

**CE** · EN 60079-0  
· EN 60079-1  
· EN 60079-31



Zone 1  
Zone 21



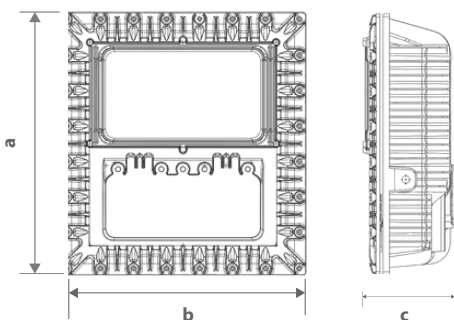


## TL-EX-BS-XXX Explosion Proof

### Specifications / Dimensions:

Light Source	: COB LED
Input Voltage	: 90 V - 305 VAC
Optional Input Voltage	: 24 VAC / VDC
Power Range	: 50 W - 320 W
Power Factor	: $\geq 95$
Luminaire Efficiency	: 135-165 lm/W
Color Temperature	: 2700-6500 Kelvin
Lifespan	: Up to 60.000 hours
Housing	: Special Aluminium Alloy
Operating Temp.	: -40°C - +50°C
Cooling	: Specially Designed Cooling Panel
Light Distribution	: 22° - 29° - 38° - 46° - 72°- 90° - 120 ° Or optional
Optic Interface	: Tempered Glass
Diffused Optic	: Optional
Protection Class	: IP67
Impact Resistance Class	: Aluminum Housing: IK10 & Glass : IK10
Mounting	: Wall, Ceiling, Pole, Mast
Optional Mounting	: Portable
Optional	: Wire Guard
	: Trough Wiring
Length (a)	: 495 mm
Width (b)	: 458 mm
Height (c)	: 151 mm
Weight	: 25 kg

### Technical Drawing

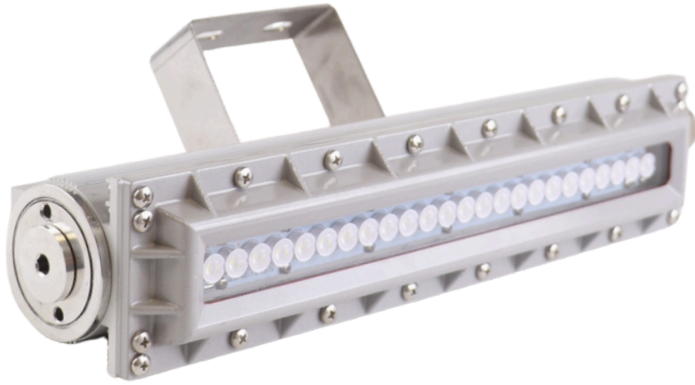


Zone 1  
Zone 21

II 2GD  
Ex db IIC T5 Gb  
Ex tb IIIC T95 °C Db



## TL-EX-TLL-XXX-XXX-XXX Explosion Proof



## TL-EX-TLL-XXX-XXX-XXX Explosion Proof

TechLED provides safe lighting in explosive environments with its ATEX-certified solutions. Trusted for years in various industries, TechLED lighting fixtures have become a benchmark for hazardous area solutions.



·EN 60079-0  
·EN 60079-1  
·EN 60079-31



Zone 1  
Zone 21



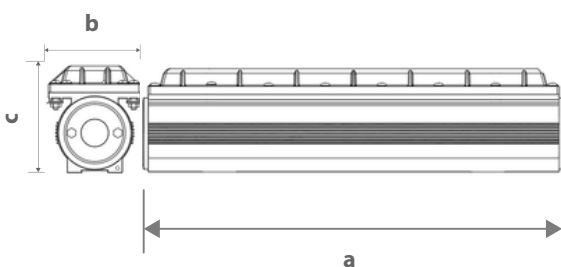


## TL-EX-TLL-XXX-XXX-XXX Explosion Proof

### Specifications / Dimensions:

Light Source	: SMD High Power LED
Input Voltage	: 198 V - 264 V AC 50 Hz
Optional Input Voltage	: 24 VAC / VDC
Power Range	: 5 - 110 W
Power Factor	: $\geq 95$
Luminaire Efficiency	: 135-165 lm/W
Color Temperature	: 2700-6500 Kelvin
Lifespan	: Up to 100.000 hours
Housing	: Special Aluminium Alloy
Operating Temp.	: -40°C - +50°C
Cooling	: Specially Designed Cooling Panel
Light Distribution	: 30° - 60° - 90° - 120° Or optional
Optic Interface	: Tempered Glass
Diffused Optic	: Optional
Protection Level	: IP67
Impact Resistance Class	: Aluminum Housing: IK10 & Glass : IK07-IK08-IK09 options
Mounting	: Wall , Ceiling , Pole Mounting Kit
Optional Mounting	: Portable ,Magnetic Portable , Universal Kit
Optional	: Wire Guard
	: Trough Wiring System
	: Emergency Kit ( 1-3 hours )
	: Advanced Control / Dali - Dali Traceable Kit
Length (a)	: 425 mm
Width (b)	: 88 mm
Height (c)	: 105 mm
Weight	: 4,5 kg

### Technical Drawing



Zone 1  
Zone 21

5-55W	56-85W	86-110W
II 2GD	II 2GD	II 2GD
Ex db IICT6 Gb	Ex db IICT5 Gb	Ex db IICT4 Gb
Ex tb IIIC T85°C Db	Ex tb IIIC T95°C Db	Ex tb IIIC T130°C Db



## TL-EX-TLL-TLL-XXX -XXX Tank Level Lighting



## TL-EX-TLL-TLL-XXX -XXX Tank Level Lighting

TechLED provides safe lighting in explosive environments with its ATEX-certified solutions. Trusted for years in various industries, TechLED lighting fixtures have become a benchmark for hazardous area solutions.



·EN 60079-0  
·EN 60079-1  
·EN 60079-31



Zone 1  
Zone 21



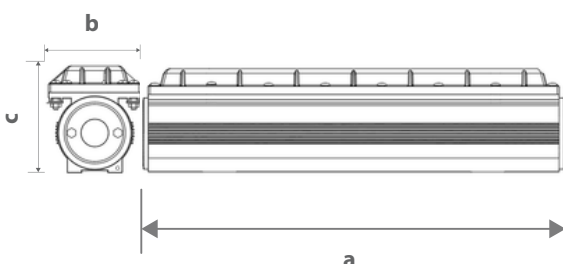


## TL-EX-TLL-TLL-XXX -XXX Tank Level Lighting

### Specifications / Dimensions:

Light Source	: SMD High Power LED
Input Voltage	: 198 V - 264 V AC 50 Hz
Optional Input Voltage	: 24 VAC / VDC
Power Range	: 5 - 110 W
Power Factor	: $\geq 95$
Luminaire Efficiency	: 135-165 lm/W
Color Temperature	: 2700-6500 Kelvin
Lifespan	: Up to 100.000 hours
Housing	: Special Aluminium Alloy
Operating Temp.	: -40°C - +50°C
Cooling	: Specially Designed Cooling Panel
Light Distribution	: 30° - 60° - 90° - 120° Or optional
Optic Interface	: Tempered Glass
Diffused Optic	: Optional
Protection Level	: IP67
Impact Resistance Class	: Aluminum Housing: IK10 & Glass : IK07-IK08-IK09 options
Mounting	: Tank Level Unit
Optional	: Trough Wiring
	: Emergency Kit ( 1-3 hours )
	: Advanced Control / Dali - Dali Traceable Kit
Length (a)	: 425 mm
Width (b)	: 88 mm
Height (c)	: 105 mm
Weight	: 4,5 kg

### Technical Drawing

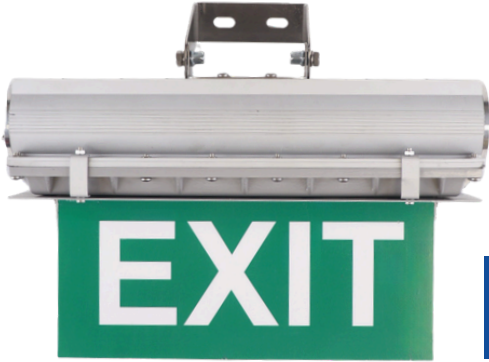


Zone 1  
Zone 21

5-55W	56-85W	86-110W
II 2GD	II 2GD	II 2GD
Ex db IICT6 Gb	Ex db IICT5 Gb	Ex db IICT4 Gb
Ex tb IIIC T85°C Db	Ex tb IIIC T95°C Db	Ex tb IIIC T130°C Db



## TL-EX-TLL-EXT -XXX Ex Proof Emergency Exit Lighting



## TL-EX-TLL-EXT -XXX Ex Proof Emergency Exit Lighting

TechLED provides safe lighting in explosive environments with its ATEX-certified solutions. Trusted for years in various industries, TechLED lighting fixtures have become a benchmark for hazardous area solutions.



·EN 60079-0  
·EN 60079-1  
·EN 60079-31



Zone 1  
Zone 21



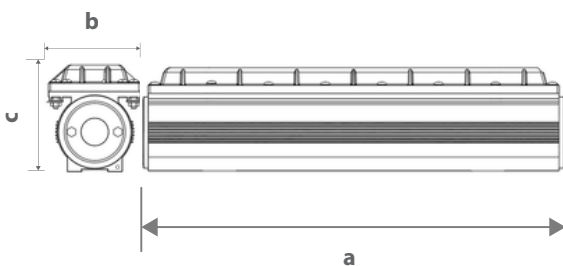


## TL-EX-TLL-EXT -XXX Ex Proof Emergency Exit Lighting

### Specifications / Dimensions:

Light Source	: SMD High Power LED / Emergency Kit 1-3 hours
Input Voltage	: 198 V - 264 V AC 50 Hz
Optional Input Voltage	: 24 VAC / VDC
Power Range	: 8W
Power Factor	: $\geq 95$
Luminaire Efficiency	: 175 Lm/W
Color Temperature	: 2700-6500 Kelvin
Lifespan	: Up to 100.000 hours
Housing	: Special Aluminium Alloy
Operating Temp.	: -40°C - +50°C
Cooling	: Specially Designed Cooling Panel
Emergency Exit Sign	: As Project Or By Request
Protection Level	: IP67
Impact Resistance Class	: Aluminum Housing: IK10 & Glass : IK07-IK08-IK09 options
Mounting	: Wall , Ceiling , Pole , Mast
Optional Mounting	: Portable , Magnetic Portable , Universal Kit
Optional	: Trough Wiring System Advanced Control / Dali - Dali Traceable Kit
Length (a)	: 425 mm
Width (b)	: 88 mm
Height (c)	: 210 mm
Weight	: 5 kg

### Technical Drawing



Zone 1  
Zone 21

5-55W	56-85W	86-110W
II 2GD	II 2GD	II 2GD
Ex db IICT6 Gb	Ex db IICT5 Gb	Ex db IICT4 Gb
Ex tb IIIC T85°C Db	Ex tb IIIC T95°C Db	Ex tb IIIC T130°C Db

**TL-EX-TLL-XXX-XXX Ex-Proof**

**All handles, stands and mountings are produced with inox**

**Portable Solutions**



**Wall-Ceiling Mounting**



**Magnetic Portable Solutions**



**Universal Mounting**



**Exit Sign**

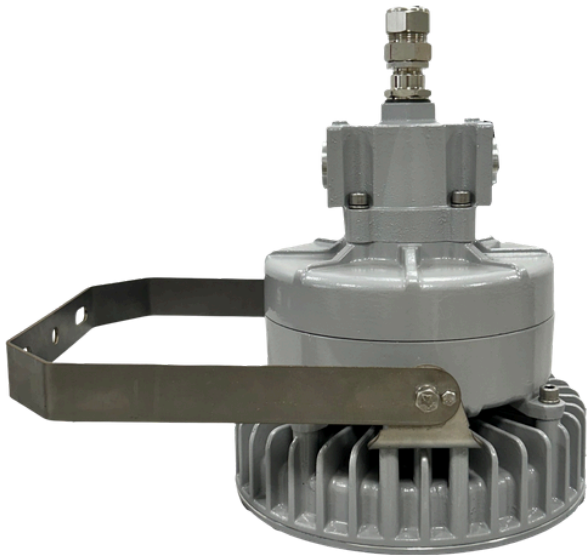


**Tank Level Lighting**





## TL-EX-MR-X1-X2-X3-X4-X5 Explosion Proof



## TL-EX-MR-X1-X2-X3-X4-X5 Explosion Proof

TechLED provides safe lighting in explosive environments with its ATEX-certified solutions. Trusted for years in various industries, TechLED lighting fixtures have become a benchmark for hazardous area solutions.



Zone 1  
Zone 21



·EN 60079-0  
·EN 60079-1  
·EN 60079-31



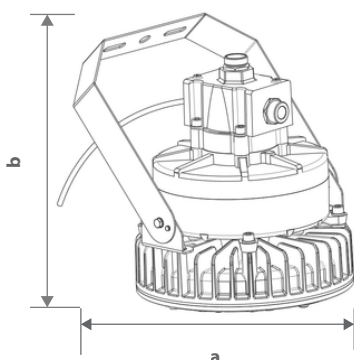


## TL-EX-MR-X1-X2-X3-X4-X5

### Specifications / Dimensions:

Light Source	: SMD Power LED
Input Voltage	: 90-305 VAC
Optional Input Voltage	: 24 VAC / VDC
Power Range	: 3 - 200 W
Power Factor	: $\geq 95$
Luminaire Efficiency	: 135-165 lm/W
Color Temperature	: 2700-6500 Kelvin
Lifespan	: Up to 100.000 hours
Housing	: Special Aluminium Alloy
Operating Temp.	: -40°C - +50°C
Cooling	: Specially Designed Cooling Panel
Light Distribution	: 30° - 60° - 90° - 120° Or optional
Optic Interface	: Tempered Glass
Diffused Optic	: Optional
Protection Class	: IP67
Impact Resistance Class	: Aluminum Housing: IK10 & Glass : IK10
Mounting	: Wall , Ceiling , Pole , Mast , Conduit
Optional Mounting	: Portable ,Universal Kit , Angled Pole
Optional	: Wire Guard
	1 Input 2 Output Electrical Connection
	Emergency Kit ( 1-3 hours )
	Advanced Control / Dali - Dali Traceable Kit
Diameter (a)	: 260 mm
Height (b)	: 290 mm
Weight	: 9,5 kg

### Technical Drawing



Zone 1  
Zone 21

II 2G Ex db IIC Tx Gb  
II 2D Ex tb IIIC T(x °C) Db

**TL-EX-MR-X1-X2-X3-X4-X5 Explosion Proof**

**All handles, stands and mountings are produced with inox**

**Wall-Ceiling Mounting**



**Conduit Mounting**

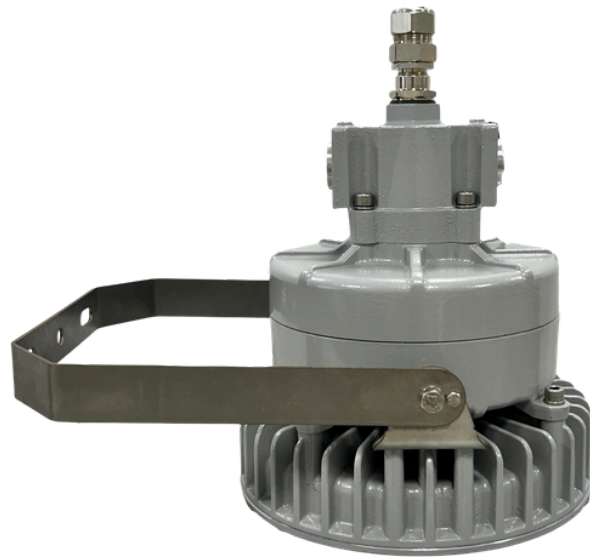


**Angled Conduit Mounting**





## TL-EX-BR-X1-X2-X3-X4-X5 Explosion Proof



## TL-EX-BR-X1-X2-X3-X4-X5 Explosion Proof

TechLED provides safe lighting in explosive environments with its ATEX-certified solutions. Trusted for years in various industries, TechLED lighting fixtures have become a benchmark for hazardous area solutions.



·EN 60079-0  
·EN 60079-1  
·EN 60079-31



Zone 1  
Zone 21



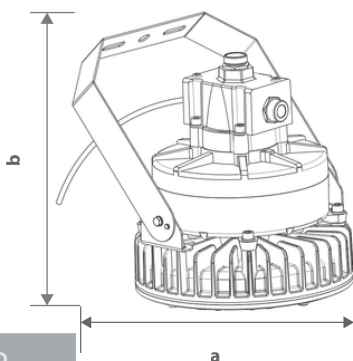


## TL-EX-BR-X1-X2-X3-X4-X5 Explosion Proof

### Specifications / Dimensions:

Light Source	: SMD Power LED
Input Voltage	: 90-305 VAC
Optional Input Voltage	: 24 VAC / VDC
Power Range	: 3 - 250 W
Power Factor	: $\geq 95$
Luminaire Efficiency	: 135-165 lm/W
Color Temperature	: 2700-6500 Kelvin
Lifespan	: Up to 100.000 hours
Housing	: Special Aluminium Alloy
Operating Temp.	: -40°C - +50°C
Cooling	: Specially Designed Cooling Panel
Light Distribution	: 30° - 60° - 90° - 120° Or optional
Optic Interface	: Tempered Glass
Diffused Optic	: Optional
Protection Class	: IP67
Impact Resistance Class	: Aluminum Housing: IK10 & Glass : IK10
Mounting	: Wall , Ceiling , Pole , Mast , Conduit
Optional Mounting	: Portable ,Universal Kit , Angled Pole
Optional	Wire Guard
	1 Input 2 Output Electrical Connection
	Emergency Kit ( 1-3 hours )
	Advanced Control / Dali - Dali Traceable Kit
Diameter (a)	: 260 mm
Height (b)	: 290 mm
Weight	: 11 kg

### Technical Drawing



Zone 1  
Zone 21

II 2G Ex db IIC Tx Gb  
II 2D Ex tb IIIC T(x °C) Db

**TL-EX-BR-X1-X2-X3-X4-X5 Explosion Proof**

**All handles, stands and mountings are produced with inox**

**Wall-Ceiling Mounting**



**Conduit Mounting**



**Angled Conduit Mounting**





## TLP-P-EX-XXX Explosion Proof Floodlight



## TLP-P-EX-XXX Explosion Proof Floodlight

TechLED provides safe lighting in explosive environments with its ATEX-certified solutions. Trusted for years in various industries, TechLED lighting fixtures have become a benchmark for hazardous area solutions.



Zone 2  
Zone 21



·EN 60079-0  
·EN 60079-15  
·EN 60079-31



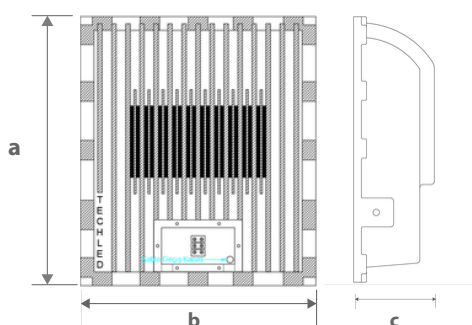


## TLP-P-EX-XXX Explosion Proof Floodlight

### Specifications / Dimensions:

Light Source	: COB LED
Input Voltage	: 90 V - 305 VAC
Optional Input Voltage	: 24 VAC / VDC
Power Range	: 20 - 250 W
Power Factor	: $\geq 95$
Luminaire Efficiency	: 135-165 lm/W
Color Temperature	: 2700-6500 Kelvin
Lifespan	: Up to 60.000 hours
Housing	: Special Aluminium Alloy
Operating Temp.	: -40°C - +50°C / +70°C
Cooling	: Specially Designed Cooling Panel
Light Distribution	: 22° - 29° - 38° - 46° - 72° - 90° - 120 ° or optional
Optic Interface	: Tempered Glass
Diffused Optic	: Optional
Protection Class	: IP66 & IP67
Impact Resistance Class	: Aluminum Housing: IK10 & Glass : IK07
Mounting	: Wall , Ceiling , Pole , Mast
Optional Mounting	: Portable
Optional	: Wire Guard Trough Wiring
Length (a)	: 400 mm
Width (b)	: 310 mm
Height (c)	: 120 mm
Weight	: 10,5 kg

### Technical Drawing



Zone 2  
Zone 21

II 3G Ex nR IIC T5 Gc  
II 2D Ex tb IIIC T5 Db



## TL-EX- LNR-X1-1M-75W Explosion Proof



## TL-EX-LNR-X1-1M-75W Explosion Proof

TechLED provides safe lighting in explosive environments with its ATEX-certified solutions. Trusted for years in various industries, TechLED lighting fixtures have become a benchmark for hazardous area solutions.



Zone 2  
Zone 21



·EN 60079-0  
·EN 60079-1  
·EN 60079-31



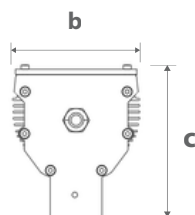
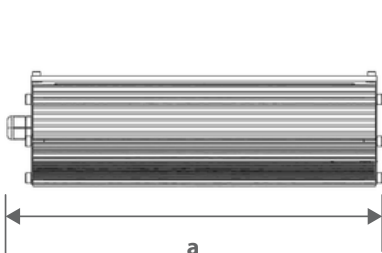


## TL-EX-LNR-X1-1M-75W Explosion Proof

### Specifications / Dimensions:

Light Source	: SMD Power LED
Input Voltage	: 198 - 264 V AC 50 Hz
Optional Input Voltage	: 90-305 VAC ( or 24 V AC / VDC = 45W)
Power Range	: 20-75 W
Power Factor	: $\geq 95$
Luminaire Efficiency	: 135-165 lm/W
Color Temperature	: 2700-6500 Kelvin
Lifespan	: Up to 100.000 hours
Housing	: Special Aluminium Alloy
Operating Temp.	: -40°C - +50°C / +70°C
Cooling	: Specially Designed Cooling Panel
Light Distribution	: 30° - 60° - 90° - 120° - 140° - 30°x70° - 60°x90° - 90°x120° - 40°x130° - 70°x145 - 80°x155°
Optic Interface	: PC Block Lens
Protection Class	: IP66 & IP67
Impact Resistance Class	: Aluminum Housing: IK10 & Lens : IK09
Mounting	: Wall , Ceiling , Pole , Mast
Optional Mounting	: Portable ,Universal Kit
Optional	: Wire Guard
	Trough Wiring
	Emergency Kit ( 1-3 hours )
	Advanced Control / Dali - Dali Traceable Kit
Length (a)	: 329 mm
Width (b)	: 143 mm
Height (c)	: 167 mm
Weight	: 2 kg

### Technical Drawing



Zone 2  
Zone 21

II 3G Ex nR IIC T6...T4 Gc  
II 2D Ex tb IIIC T85...T105°C Db



## TL-EX-LNR- X1-2M-150W Explosion Proof



## TL-EX-LNR- X1-2M-150W Explosion Proof

TechLED provides safe lighting in explosive environments with its ATEX-certified solutions. Trusted for years in various industries, TechLED lighting fixtures have become a benchmark for hazardous area solutions.



Zone 2  
Zone 21



·EN 60079-0  
·EN 60079-1  
·EN 60079-31



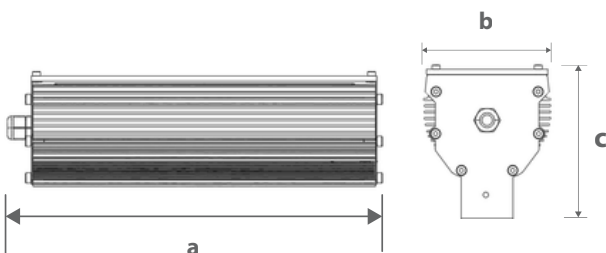


## TL-EX-LNR- X1-2M-150W Explosion Proof

### Specifications / Dimensions:

Light Source	: SMD Power LED
Input Voltage	: 198 - 264 V AC
Optional Input Voltage	: 90-305 VAC ( or 24 V AC / VDC = 90W)
Power Range	: 20-150 W
Power Factor	: $\geq 95$
Luminaire Efficiency	: 135-165 lm/W
Color Temperature	: 2700-6500 Kelvin
Lifespan	: Up to 100.000 hours
Housing	: Special Aluminium Alloy
Operating Temp.	: -40°C - +50°C / +70°C
Cooling	: Specially Designed Cooling Panel
Light Distribution	: 30° - 60° - 90° - 120° - 140° - 30°x70° - 60°x90° - 90°x120° - 40°x130° - 70°x145 - 80°x155°
Optic Interface	: PC Block Lens
Protection Class	: IP66 & IP67
Impact Resistance Class	: Aluminum Housing: IK10 & Lens : IK09
Mounting	: Wall , Ceiling , Pole , Mast
Optional Mounting	: Portable ,Universal Kit
Optional	: Wire Guard
	: Trough Wiring
	: Emergency Kit ( 1-3 hours )
	: Advanced Control / Dali - Dali Traceable Kit
Length (a)	: 624 mm
Width (b)	: 143 mm
Height (c)	: 167 mm
Weight	: 4 kg

### Technical Drawing



Zone 2  
Zone 21

II 3G Ex nR IIC T6...T4 Gc  
II 2D Ex tb IIIC T85...T105°C Db



## TL-EX-LNR-X1-3M- 225W Explosion Proof



## TL-EX-LNR-X1-3M- 225W Explosion Proof

TechLED provides safe lighting in explosive environments with its ATEX-certified solutions. Trusted for years in various industries, TechLED lighting fixtures have become a benchmark for hazardous area solutions.



Zone 2  
Zone 21



ISO 27001 :2022



·EN 60079-0  
·EN 60079-1  
·EN 60079-31



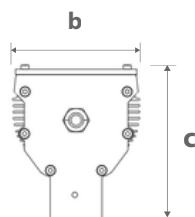
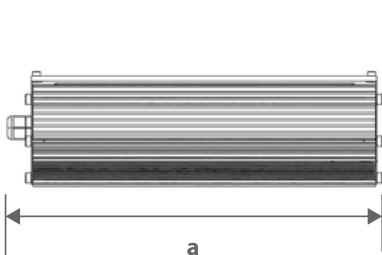


## TL-EX-LNR-X1-3M- 225W Explosion Proof

### Specifications / Dimensions:

Light Source	: SMD Power LED
Input Voltage	: 198 - 264 V AC
Optional Input Voltage	: 90-305 VAC ( or 24 V AC / VDC = 135W)
Power Range	: 20-225 W
Power Factor	: $\geq 95$
Luminaire Efficiency	: 135-165 lm/W
Color Temperature	: 2700-6500 Kelvin
Lifespan	: Up to 100.000 hours
Housing	: Special Aluminium Alloy
Operating Temp.	: -40°C - +50°C / +70°C
Cooling	: Specially Designed Cooling Panel
Light Distribution	: 30° - 60° - 90° - 120° - 140° - 30°x70° - 60°x90° - 90°x120° - 40°x130° - 70°x145 - 80°x155°
Optic Interface	: PC Block Lens
Protection Class	: IP66 & IP67
Impact Resistance Class	: Aluminum Housing: IK10 & Lens : IK09
Mounting	: Wall , Ceiling , Pole , Mast
Optional Mounting	: Portable ,Universal Kit
Optional	: Wire Guard
	: Trough Wiring
	: Emergency Kit ( 1-3 hours )
	: Advanced Control / Dali - Dali Traceable Kit
Length (a)	: 919 mm
Width (b)	: 143 mm
Height (c)	: 167 mm
Weight	: 6 kg

### Technical Drawing



Zone 2  
Zone 21

II 3G Ex nR IIC T6...T4 Gc  
II 2D Ex tb IIIC T85...T105°C Db



## TL-EX-LNR-EXT-1M-10W Ex Proof Emergency Exit Lighting



## TL-EX-LNR-EXT-1M-10W Ex Proof Emergency Exit Lighting

TechLED provides safe lighting in explosive environments with its ATEX-certified solutions. Trusted for years in various industries, TechLED lighting fixtures have become a benchmark for hazardous area solutions.



·EN 60079-0  
·EN 60079-1  
·EN 60079-31



Zone 2  
Zone 21



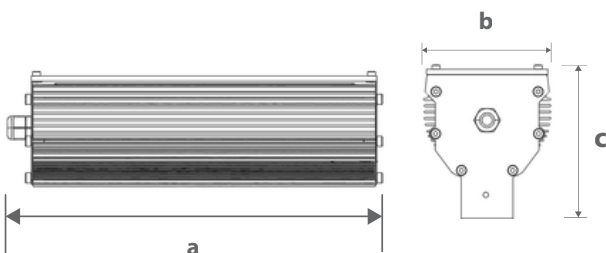


## TL-EX-LNR-EXT-1M-10W Ex Proof Emergency Exit Lighting

### Specifications / Dimensions:

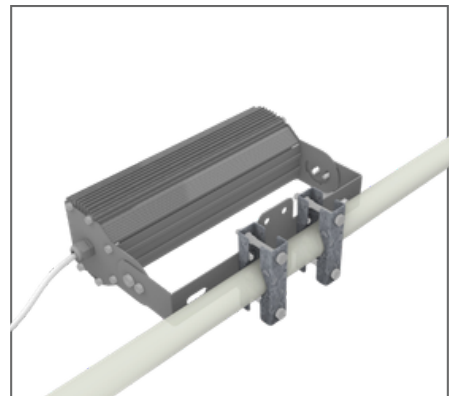
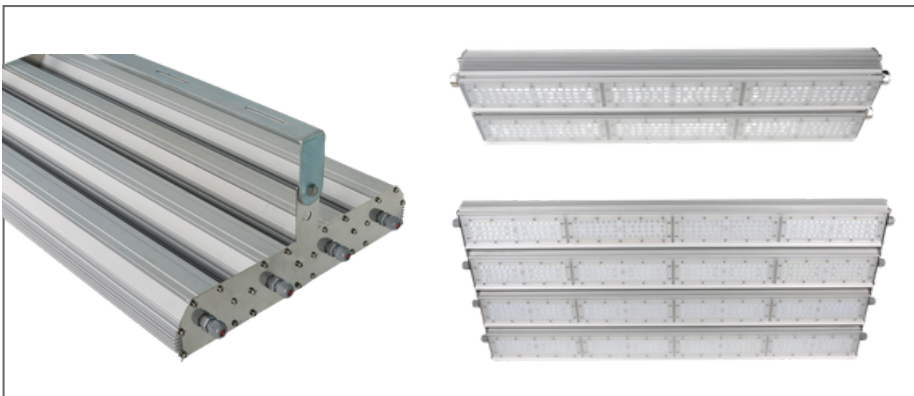
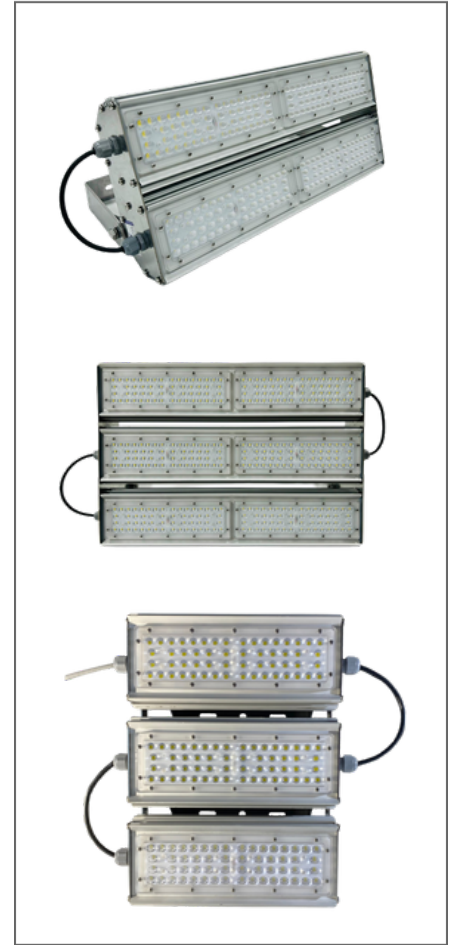
Light Source	: SMD High Power LED / Emergency Kit 1-3 hours
Input Voltage	: 198 V - 264 VAC
Optional Input Voltage	: 24 VAC / VDC
Power Range	: 10W
Power Factor	: $\geq 95$
Luminaire Efficiency	: 175 Lm/W
Color Temperature	: 2700-6500 Kelvin
Lifespan	: Up to 100.000 hours
Housing	: Special Aluminium Alloy
Operating Temp.	: -40°C - +50°C
Cooling	: Specially Designed Cooling Panel
Emergency Exit Sign	: As Project Or Request
Protection Level	: IP66 & IP67
Impact Resistance Class	: Aluminum Housing: IK10 & Lens : IK09
Mounting	: Wall , Ceiling , Pole ,Mast
Optional Mounting	: Universal Kit
Optional	: Trough Wiring Advanced Control / Dali - Dali Traceable Kit
Length (a)	: 329mm
Width (b)	: 143 mm
Height (c)	: 167 mm
Weight	: 3 kg

### Technical Drawing



Zone 2  
Zone 21

**II 3G** Ex nR IIC T6...T4 Gc  
**II 2D** Ex tb IIIC T85...T105°C Db





## Labeling of explosion proof equipment According to ATEX directives

Application	Equipment Group	Equipment Categorized by	Level of Protection		Equipment Category	Explosive Atmosphere Contains	Zone Classification	
Mining	I	Required Performance in the Event of an Explosive Atmosphere	Remain Functional	Very High	Two Faults	M 1	Gas Dust	
			De-energised	High	Normal Operation	M 2	Gas Dust	
Other Industries	II	Expectancy of the Occurrence of an Explosive Atmosphere	Continuously for Long Periods or Frequently	Very High	Two Faults	1	Gas Dust	Zone 0 Zone 20
			Occasionally	High	One Fault	2	Gas Dust	Zone 1 Zone 21
			Unlikely or Infrequently and for a Short Period	Normal	Normal Operation	3	Gas Dust	Zone 2 Zone 22

**Examples**

Complies with European Directive: **CE**  
 Notified Body Number: **0158**  
 Specific Marking for Explosion Protection: **Ex**

II 2G Ex d IIC T6 Gb  
 II 1D Ex ta IIIA T80°C Da

Type of Environment	Group & Class	Hazardous Material in the Atmosphere		Temperature Class
Mines	I	Firedamp	Temperatures according to coal dust accumulation on equipment (< 150°C for coal mines or < 450°C for not coal mine tunnels)	
Explosive Gases	IIA	Ammonia, Methane, Ethane, Propane	Petrol, Diesel Fuel, Fuel Oil, n-Hexane, Acetal-dehyde	
	IIC	City Gas, Acrylic nitrile	Ethylene oxide, Ethyl glycol Carbon hydrogen, Ethyl ether	
Explosive Dusts	III	A	Flammable fibers	
		B	Non-conductive dust	
		C	Conductive dust	
		For dust explosion proof, the max. surface temperature is directly shown (e.g. T80°C)	T1 <450° C T2 <300° C T3 <200° C T4 <135° C T5 <100° C T6 <85° C	

Protection Symbol	Zones			Type of Protection
	0	1	2	
d		•	•	Flameproof enclosure
e		•	•	Increased safety
i	ia	•	•	Intrinsic safety
	ib	•	•	
	ic	•	•	
m	ma	•	•	Moulding
	mb	•	•	
	mc	•	•	
o	•	•	•	Oil immersion
q	•	•	•	Powder filling
n	nA	•	•	Non-sparking Enclosed break Restricted Limited energy
	nC	•	•	
	nR	•	•	
	nL	•	•	
p	px	•	•	Pressurised enclosure
	py	•	•	
	pz	•	•	
Op	Op is	•	•	Optical radiation
	Op pr	•	•	
	Op sh	•	•	

Protection Symbol	Zones			Type of Protection
	20	21	22	
tD	ta	•	•	Protection by enclosure
	tb	•	•	
	tc	•	•	
mD	maD	•	•	Encapsulation
	mbD	•	•	
	mcD	•	•	
iD	iaD	•	•	Intrinsic safety
	ibD	•	•	
	icD	•	•	
pD	•	•	•	Pressurised enclosure

Zone Classification/Equipment Category	Equipment Protection Level (EPL)		
Zone 0/1G			
Zone 1/2G	Ga	Gb	Gc
Zone 2/3G			
Zone 20/1D	Da	Db	Dc
Zone 21/2D			
Zone 22/3D			
NA/M1	Ma		
NA/M2	Mb		



## OUR REFERENCES


**TECHLED**

Techled Elektronik San. Tic. A.Ş.



## Contact Details:



### Website:

[www.techled.com.tr](http://www.techled.com.tr)



### Telephone:

+90 216 386 8050



### Fax:

+90 216 386 8051



### Address:

Fatih Mahallesi, Yakacık Caddesi Türker  
Tesisleri, PK34885 No:17/3 Samandıra -  
Sancaktepe/İstanbul



### E-mail:

[info@techled.com.tr](mailto:info@techled.com.tr)



### Social Media:



[techledelektronik](#)



[techled-elektronik](#)

