

# TL-EX-FH-0101M-Series Explosion-proof Button / Switch (Board Back Type)

## 1 Application and Features

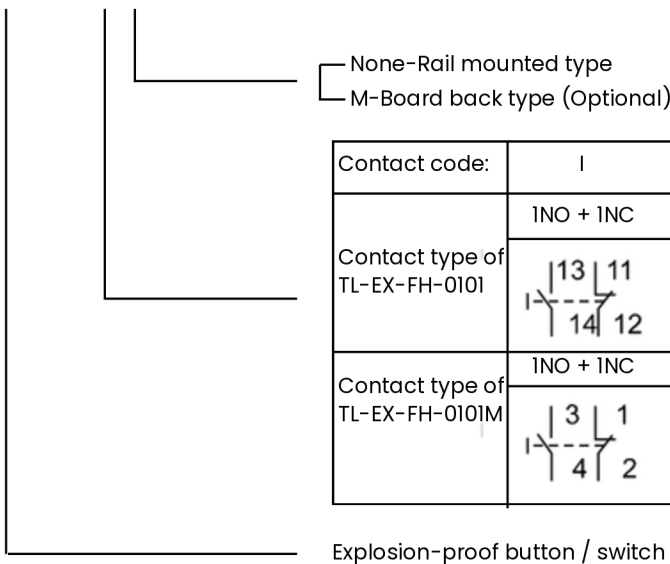
- Explosion protection ATEX
- Application in hazardous are Zone 1 and Zone 2, Zone 21 and Zone 22
- There are five head types: Standard button, Double heads button, Emergency stop button (rotate to reset), Mushroom head button (self-reset), Mushroom head with key
- The protective cover of the emergency stop button (rotate to reset) and mushroom head button (self-reset) are optional.
- There are two types of installation method: rail mounted type and board back type. Rail mounted type: contact is installed on rail. Board back type: contact is installed behind the cover, quick disassembly structure, easy installation and maintenance.

Electrical accessories



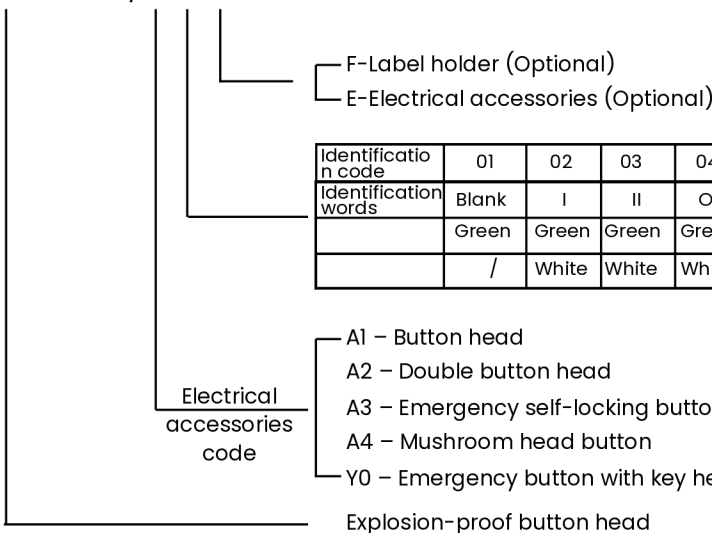
## 2 Nomenclature

TL-EX-FH-0101 - □ □



### ● Electrical accessories (Optional)

TL-EX-FH-0101 - □ / □ □ □



Note: A yellow ring will be equipped when without label holder.

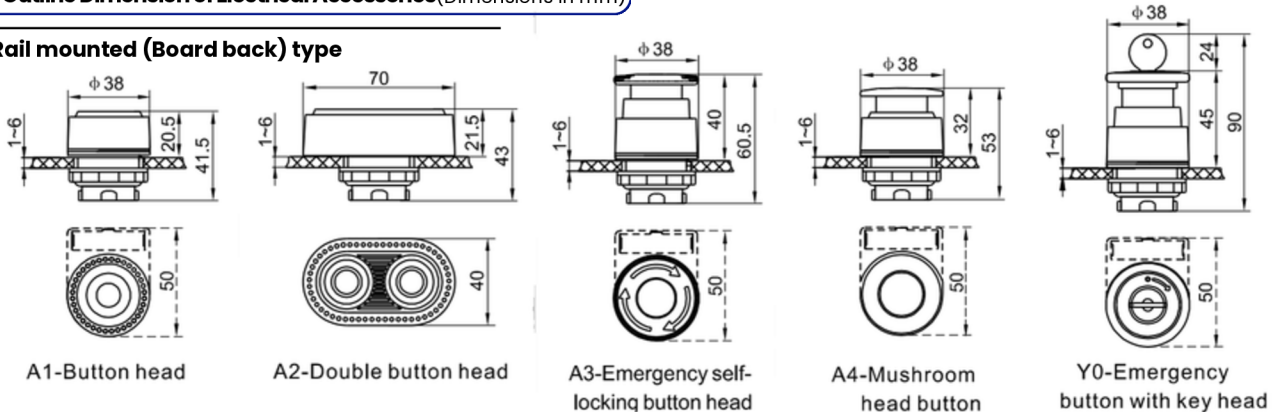
## TL-EX-FH-0101M-Series Explosion-proof Button / Switch (Board Back Type)

### 3 Technical Parameter

<b>Ex marking</b>	<b>Gas</b>	Ex II 2 G Ex db eb IIC Gb	Ex db eb IIC Gb	
	<b>Gas</b>	Ex II 2 G Ex eb IIC Gb	Ex eb IIC Gb	
	<b>Dust</b>	Ex II 2 D Ex tb IIIC Db	Ex tb IIIC Db	
<b>Conformity to standards</b>		IEC 60079-0, IEC 60079-1, IEC 60079-7, IEC 60079-31 EN 60079-0, EN60079-1, EN60079-7, EN60079-31		
<b>Terminal wire diameter</b>		6A: 0.75 ~ 2.5mm <sup>2</sup> , 10A: 1.5 ~ 2.5mm <sup>2</sup>		
<b>Pole</b>		Rail mounted type: 1(2), Board back type: 2		
<b>Degree of protection</b>		Terminal IP20, IP66 (After assembly with electrical accessories)		
<b>Material</b>	<b>Button enclosure</b>	Nylon(PA66), Polycarbonate(PC)		
	<b>Electrical accessories</b>	Nylon(PA66), Polycarbonate(PC)		
<b>Parameter</b>	<b>Rated voltage</b>	220V~250V AC	380V~415V AC	220V DC
	<b>Rated current</b>	6A, 10A	6A, 10A	0.25A
	<b>Rated voltage</b>	110V DC	60V DC	24V DC
	<b>Rated current</b>	1.6A	0.9A	0.4A
<b>Function</b>	<b>Electrical accessories</b>	Function		Weight
	<b>Button head (A1)</b>	Spring self-resetting		38g
	<b>Double button head (A2)</b>	Spring self-resetting, one button head with two function		60g
	<b>Emergency self-locking button head (A3)</b>	Press to lock, rotate to release		43g
	<b>Mushroom head button (A4)</b>	Mushroom type, spring self-resetting		38g
	<b>Emergency button with key head (Y0)</b>	Press to lock, turn the key to unlock and release		60g
<b>Ambient temperature</b>	<b>Rail mounted type</b>	6A: -40°C ~ +70°C, 10A: -40°C ~ +60°C		
	<b>Board back type</b>	6A: -40°C ~ +70°C, 10A: -40°C ~ +65°C		
<b>Component weight</b>	Rail mounted type (1 pcs)			
	Board back type			

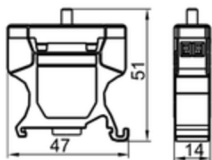
### 4 Outline Dimension of Electrical Accessories (Dimensions in mm)

#### ● Rail mounted (Board back) type

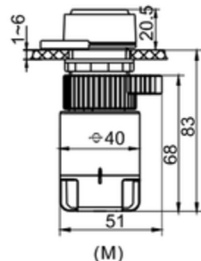


### 5 Component Outline Dimension (Dimensions in mm)

#### ● Rail mounted type

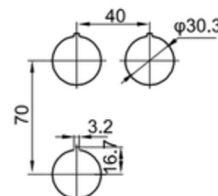


#### ● Board back type



### 6 Installation Distance (Dimensions in mm)

#### ● Rail mounted type



#### ● Board back type

