

TL-EX-FH-0161-Series Explosion-proof Anticorrosive Moulded Case Circuit Breaker

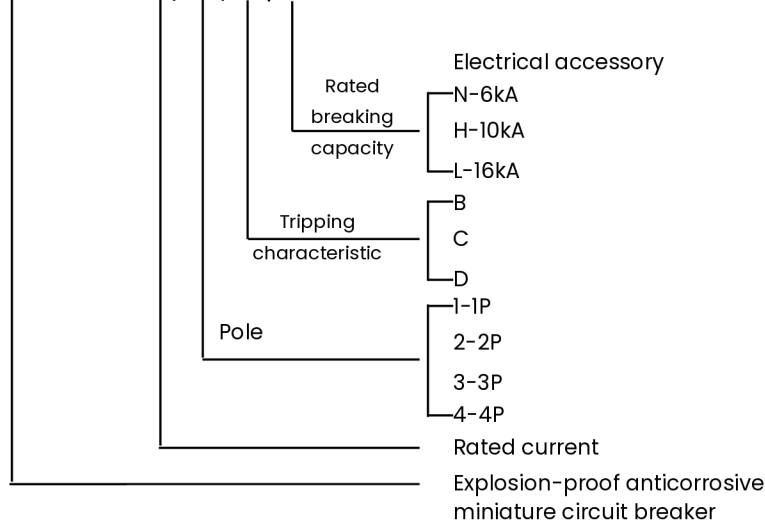
1 Application and Features

- Explosion protection
- Application in hazardous area Zone 1 & 2
- GRP (Polyester resin, glass fibre reinforced) enclosure.
- It is equipped with Schneider iC65 series, Chint NXB-63 series, and other MCB miniature circuit breakers, and has a special operating mechanism inside.
- The enclosure is equipped with main terminal contact, electrical accessory contact, and operation device.
- There are 7 kinds of electrical accessories.



2 Nomenclature

TL-EX-FH-0160 - □ / □ / □ / □ - □



Electrical accessory

□ / □

Control voltage of electrical accessories

MX-Shunt trip

MX+OF-Shunt trip

MN-Undervoltage trip

MV-Overvoltage trip

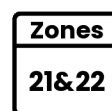
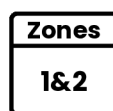
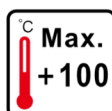
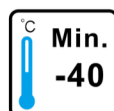
SD-Alarm contact

OF-Status indicator contact

OF+SD / OF-Dual switching contact




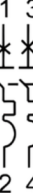
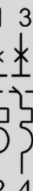
3 Technical Parameter

Ex marking	Gas	Ex db eb IIC Gb
Conformity to standards		IEC 60079-0, IEC 60079-1, IEC 60079-7 EN 60079-0, EN 60079-1, EN 60079-7
Enclosure material		GRP (Polyester resin, glass fibre reinforced)
Enclosure color		Black
Rated voltage		AC12-133V, AC220-240V, AC380-415V, AC440V DC60V, DC110V, DC125V, DC220V, DC250V, DC400V, DC440V, DC500V
Rated current		16A, 25A, 32A, 63A, 80A
Tripping rated current		16A, 25A, 32A, 40A, 50A, 63A, 80A, 100A, 125A, 160A, 200A, 250A
Rated breaking capacity		6kA, 10kA, 16kA
Pole		1P, 2P, 3P, 4P
Tripping characteristics		B, C, D
Contact capacity of electrical accessories		AC-13 3A / 250V
		AC-15 2A / 250V
Terminal section	Main contact	2×10mm ² (<40A), 2×16mm ² (<80A)
	Electrical accessory contact	2×2.5mm ²
Operating temperature		-40°C ~ +100°C

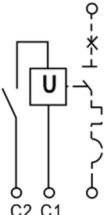
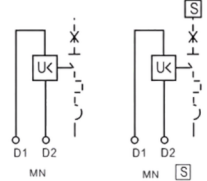
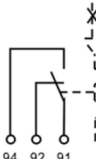
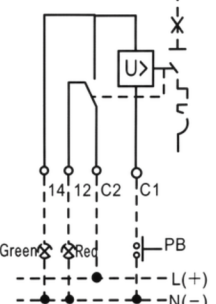
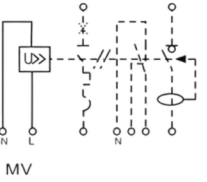
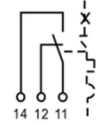
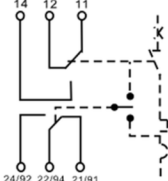


TL-EX-FH-0161-Series Explosion-proof Anticorrosive Miniature Circuit Breaker

4 Selection Table

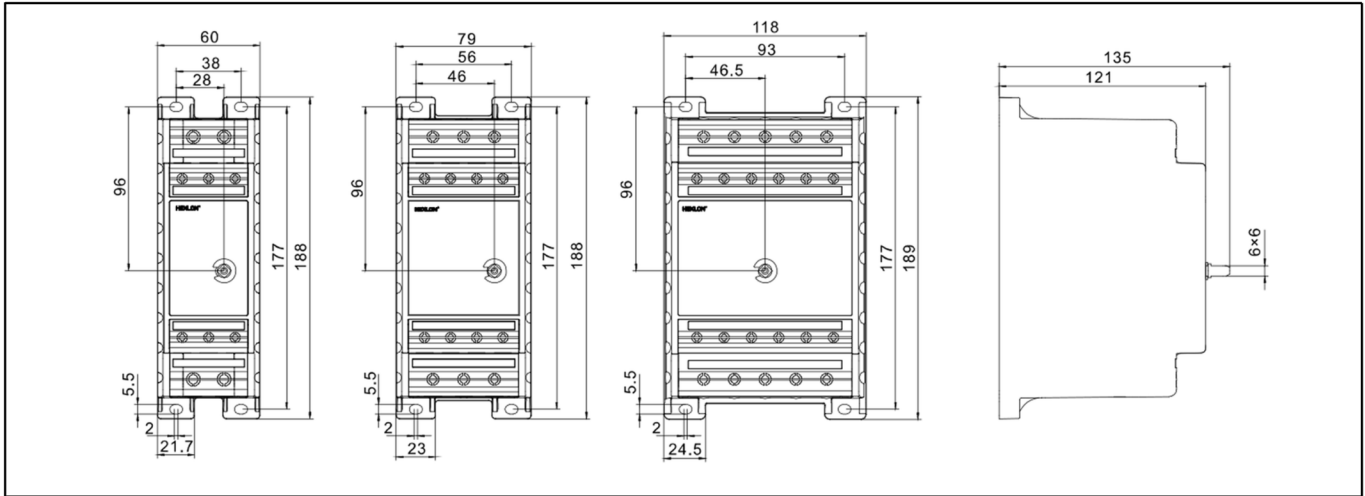
	Pole	Tripping characteristic	Rated current (A)	Rated voltage (V)	Terminal section (mm ²)	Electrical schematic diagram	Weight (kg)	Electrical accessory parameter	
		1P	B/C/D	16	AC	2x10 (≤40A)		0.9	Electrical accessory contact capacity
12-133									
AC									
220-240									
2P		AC			2x16 (≤80A)	1 3		1.3	AC-13 3A/250V AC-15 2A/250V
		380-415							
		AC 440							
		2 4							
3P		DC 60			2x16 (≤80A)	1 3 5		1.7	Electrical accessory contact terminal section
		DC 110							
		DC 125							
		2 4 6							
4P		DC 220			2x16 (≤80A)	1 3 5 7		2.0	2x2.5mm ²
		DC 250							
		DC 400							
		DC 440							
				DC 500					

5 Electrical Accessory

Type	Control voltage		Type	Control voltage		Type
	(VAC)	(VDC)		(VAC)	(VDC)	
MX Shunt trip until 	110...415	110...130	MN Undervoltage trip unit instantaneous trip MN Delayed trip 	220...240	-	SD Alarm contact 
	48	48		48	48	
	12/24	12/24		220...240	-	
MX+OF Shunt trip unit 	110...415	110...130	MV Undervoltage trip unit 	230	-	OF Status indicator contact 
	48	48				
	12/24	12/24				
						OF +SD/OF Dual switch contact 

TL-EX-FH-0161-Series Explosion-proof Anticorrosive Miniature Circuit Breaker

6 Outline and Installation Dimension (Dimensions in mm)



Size (mm)	Pole
Size 1	1P , 2P
Size 2	3P , 2P + Electrical accessory

Size (mm)	Pole
Size 3	4P , 3P + Electrical accessory
-	-