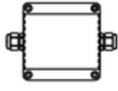
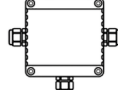
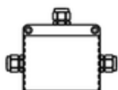







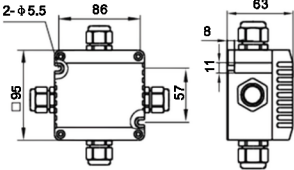
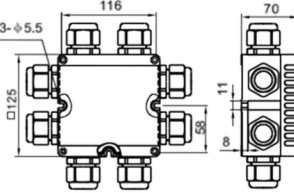

## TL-EX-FH-BH05-Series Explosion-proof Terminal Box

### 4 Proposal Example

TL-EX-FH-BH05-1	Cable entries	Cable outer dia.
	2XM20	Φ6-Φ12mm
	2XM25	Φ10-Φ14mm
	3XM20	Φ6-Φ12mm
	3XM25	Φ10-Φ14mm
	4XM20	Φ6-Φ12mm
	4XM25	Φ10-Φ14mm

TL-EX-FH-BH05-2	Cable entries	Cable outer dia.
	4XM25	Φ10-Φ14mm
	4XM32	Φ13-Φ19mm
	6XM25	Φ10-Φ14mm
	6XM32	Φ13-Φ19mm
	8XM25	Φ10-Φ14mm
	8XM32	Φ13-Φ19mm

### 5 Outline and Installation Dimension (Dimensions in mm)

 <p>TL-EX-FH-BH05-1</p>	 <p>TL-EX-FH-BH05-2</p>	 <p>Type A Weight:0.6kg</p> <p>Type B Weight:0.5kg</p>
---	---	---