

## TL-EX-FH-BSP07-Series Explosion-proof Plug and Sockets

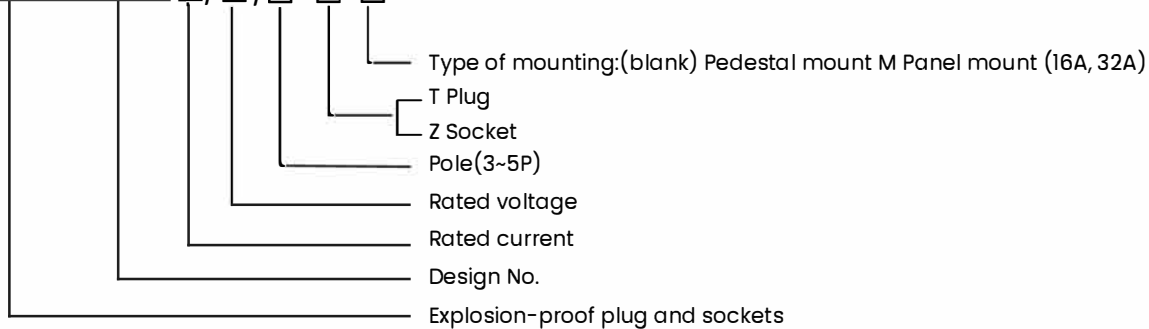
### 1 Application and Features

- Explosion protection  
ATEX
- Application in hazardous area  
Zone 1 & 2,  
Zone 21 & 22
- Increased safety type enclosure, four types of enclosure, three kinds of current: 16A, 32A, 63A, 125A; three kinds of pole numbers: 3P, 4P, 5P.
- Reliable interlocking function: The plug can be pulled out only after the power switch is off, and the power switch can be turned on only after the plug is inserted into the cavity.
- Contact performance of the plug is reliable. The plug sleeve in the socket has an elastic shutter spring sleeve, which not only makes the plug self-cleaning but also ensures small contact resistance and low-temperature rise. At the same time, it reduces the required insertion and extraction force to the minimum. The design of the shutter spring sleeve ensures the normal function of plug and socket and permanent self-cleaning.
- The product has timing function, different working voltages are set in different colors to prevent wrong insertion.
- The socket is equipped with a padlock, which can be locked when not in use, preventing the socket from being opened.



### 2 Nomenclature

TL-EX-FH- BSP07- □ / □ / □ □ □







### 3 Technical Parameter

Ex marking	Gas	16A	Ex db eb IIC T6/T5 Gb		
		32A	Ex db eb IIC T5/T4 Gb		
		63A	Ex db eb IIC T5 Gb		
		125A	Ex db eb IIC T4 Gb		
	Dust	16A, 32A 63A, 125A	Ex tb IIIC T80°C Db		
Conformity to standards		IIEC 60079-0, IEC 60079-1, IEC 60079-7, IEC 60079-31			
Enclosure material		Socket enclosure: GRP, resistant to 7J impact, antistatic Plug enclosure: Nylon (PA66)			
Exposed fasteners		Stainless steel			
Rated voltage		16A	16A, 32A ,63A, 125A		
		110~130V AC	200~250V AC, 380~415V AC, 480~500V AC, 600~690V AC		
Rated current		16A, 32A, 63A, 125A			
Frequency		50Hz/60Hz			
Degree of protection		IP66, IP68			
Ambient temperature		-45°C ~ +50°C, -45°C ~ +53°C, -45°C ~ +55°C, -45°C ~ +60°C, -45°C ~ +65°C			
Cable entries	Socket inlet thread	16A	32A	63A	125A
	Outer diameter of Socket cable (mm)	2×M25×1.5	2×M40×1.5	2×M50×1.5	2×M63×1.5
	Outer diameter of plug cable (mm)	Ø8-Ø14	Ø15-Ø26	Ø15-Ø26	Ø37-Ø44
	Wire diameter	3P: Ø7-Ø16 / 4(5)P: Ø9-Ø19	Ø12-Ø28	Ø19-Ø28	Ø34-Ø53
	Weight (kg)	2.5-4 mm <sup>2</sup>	6 mm <sup>2</sup>	16 mm <sup>2</sup>	35-50 mm <sup>2</sup>
		1,9	2,8	9,9	-

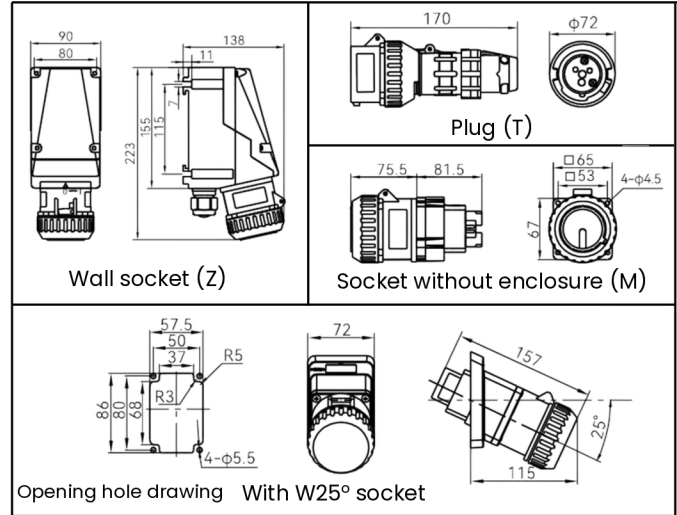
## TL-EX-FH-BSP07-Series Explosion-proof Plug and Sockets

### 4 Outline and Installation Dimension (Dimensions in mm)




#### Product Version (16A/3P)

TL-EX-FH-BSP07-16/3	Clock h and voltage
 (Z)	110-130V 1P+N+PE Yellow
 (T)	200-150V 1P+N+PE Blue
 (M)	<b>Wiring Diagram (16A/3P)</b>
	 1P+N+PE

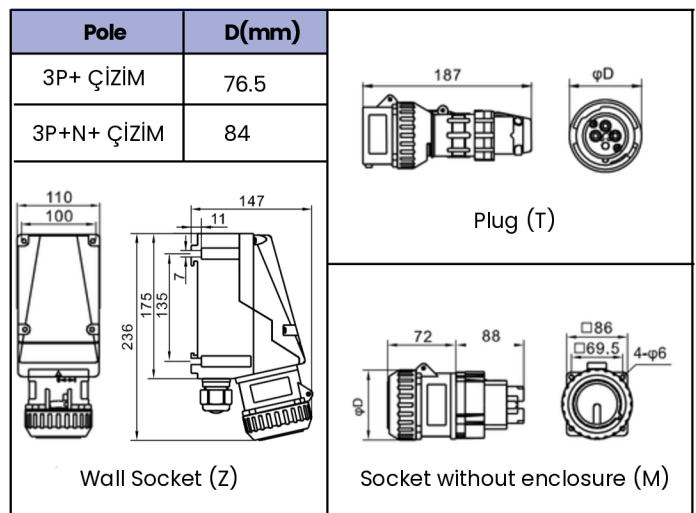
#### Outline and Installation Dimension (16A/3P)






#### Product Version (16A/3P)

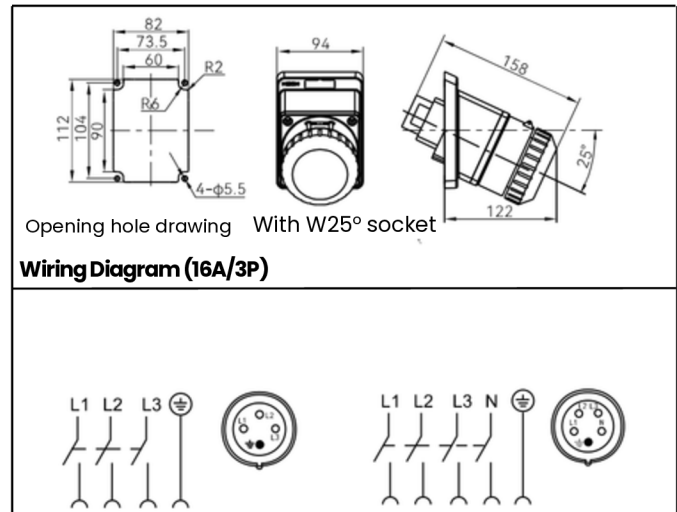
TL-EX-FH-BSP07-16/4	Clock h and voltage
 (Z)	200-250V 3P+PE Blue
 (T)	380-415V 3P+PE Blue
 (M)	480-500V 3P+PE Black
	600-690V 3P+PE Black

#### Outline and Installation Dimension (16A/4(5)P)















#### Product Version (16A/3P)

TL-EX-FH-BSP07-16/5	Clock h and voltage
 (Z)	200-250V 3P+N+PE Blue
 (T)	380-415V 3P+N+PE Blue
 (M)	480-500V 3P+N+PE Black
	600-690V 3P+N+PE Black















## TL-EX-FH-BSP07-Series Explosion-proof Plug and Sockets

### Product Version (32A/4P)

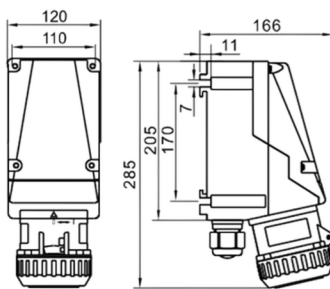
TL-EX-FH-BSP07-32/4	Clock h and voltage
 (Z)	 200-250V  3P+PE Blue h4
 (T)	 380-415V  3P+PE Red h6
 (M)	 480-500V  3P+PE Black h7
 (M)	 600-690V  3P+PE Black h5

### Product Version (32A/5P)

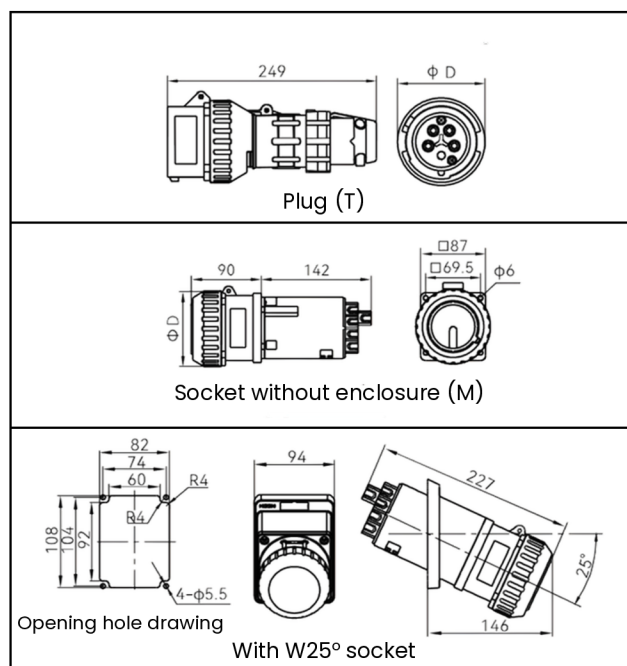
TL-EX-FH-BSP07-32/5	Clock h and voltage
 (Z)	 200-250V  3P+N+PE Blue h4
 (T)	 380-415V  3P+N+PE Red h6
 Wall socket (Z)	 480-500V  3P+N+PE Black h7
 Plug (T)	 600-690V  3P+N+PE Black h5

### Outline and Installation Dimension (32A/4(5)P)

Pole	D(mm)
2P, 2P+⊕	95
3P+⊕	95
3P+N+⊕	100



Wall socket (Z)



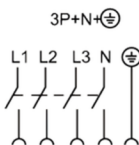
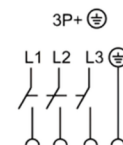
Plug (T)

Socket without enclosure (M)

Opening hole drawing











With W25° socket

### Wiring Diagram (32A/4(5)P)













## TL-EX-FH-BSP07-Series Explosion-proof Plug and Sockets

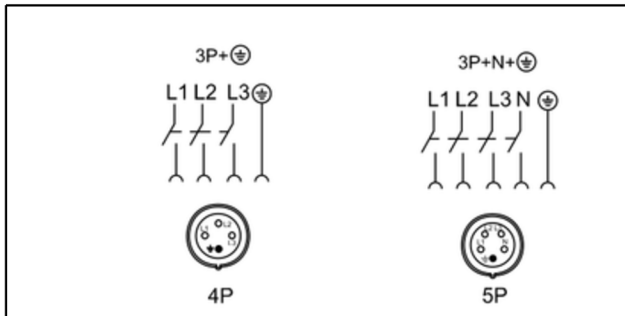
### Product Version (63A/4P)

TL-EX-FH-BSP07 -63/4	Clock h and voltage
 Wall socket(Z)	 200-250V  3P+PE Blue
	 380-415V  3P+PE Blue
 Plug(T)	 480-500V  3P+PE Black
	 600-690V  3P+PE Black

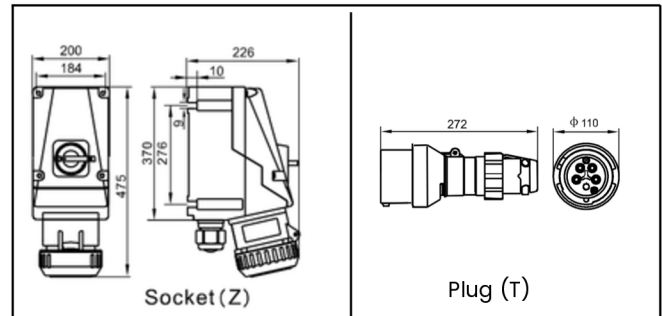
### Product Version (63A/5P)

TL-EX-FH-BSP07 -63/5	Clock h and voltage
 Wall socket(Z)	 200-250V  3P+N+PE Blue
	 380-415V  3P+N+PE Blue
 Plug(T)	 480-500V  3P+N+PE Black
	 600-690V  3P+N+PE Black













### Wiring Diagram (63A/4(5)P)



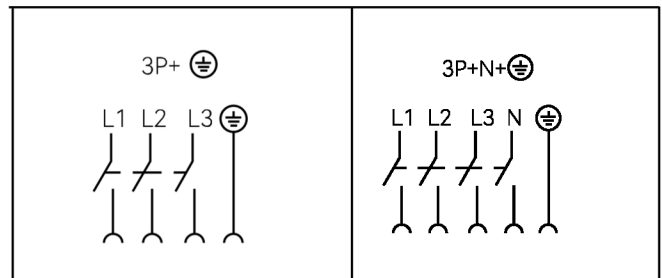
### Outline and Installation Dimension (63A/4(5)P)



### Product Version (125A/4(5)P)

TL-EX-FH-BSP07 -125/4	Clock h and voltage
 Wall socket(Z)	 200-250V  3P+PE Blue
	 380-415V  3P+PE Blue
 Plug(T)	 480-500V  3P+PE Black
	 600-690V  3P+PE Black
TL-EX-FH-BSP07 -125/5	Clock h and voltage
 220/380V  240/450V 3P+N+PE Red	

### Wiring Diagram (125A/4(5)P)



### Outline and Installation Dimension (125A/4(5)P)

