

## TL-EX-FH-BX02-Series Explosion-proof Electrical Apparatus

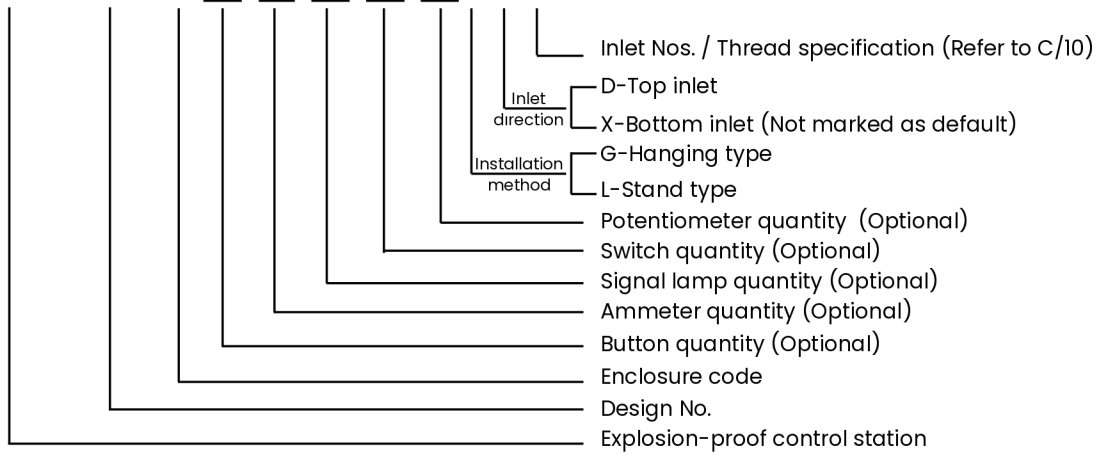
### 1 Application and Features

- Explosion protection ATEX
- Application in hazardous area Zone 1 & 2, Zone 21 & 22
- Seven type enclosure sizes, built-in explosion-proof components (control button, control switch, signal lamp, potentiometer, ammeter, etc.) and terminal blocks.
- The components is rail mounting type, which can be installed on the guide rail quickly and accurately, easy for installation and maintenance.
- Emergency stop button can be equipped with anti misoperation mechanism and padlock (if need).
- Stainless steel exposed fastener, anti dropping structure, easy for installation and maintenance.



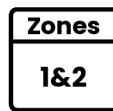
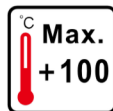
### 2 Nomenclature

TL-EX-FH- BX02 - □ A □ B □ D □ K □ P □ □ □ □



#### Note:

1. Model example: TL-EX-FH-BX02-07A2D2GM25X1.5, 07# enclosure, equipped with two control buttons and two signal lamps, Hanging mounting, one bottom inlet M25x1.5;
2. Specific components plan description refers to the requirements of the drawings;
3. Rain shade can be customized upon request.






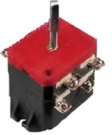





## TL-EX-FH-BX02-Series Explosion-proof Control Station

### 3 Technical Parameter

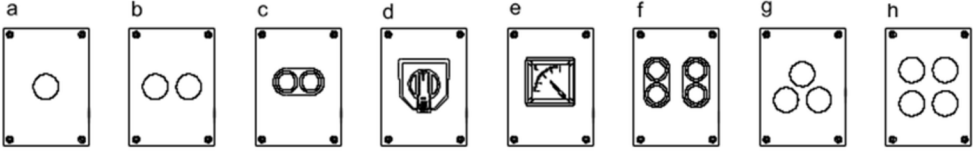
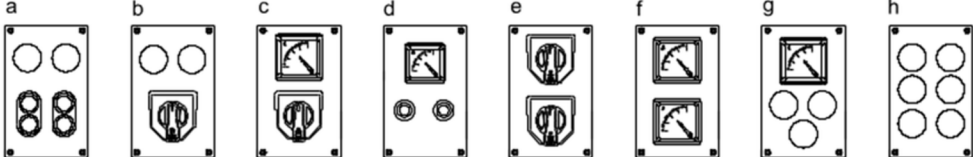
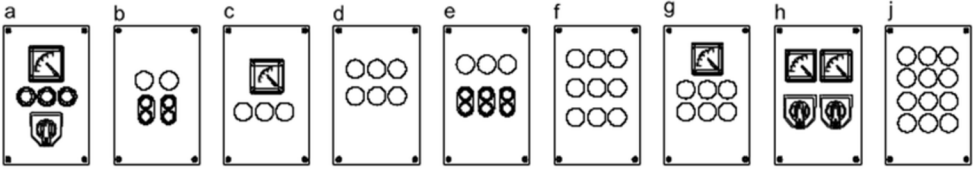
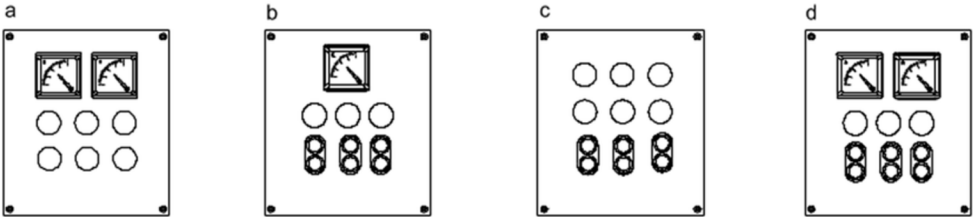
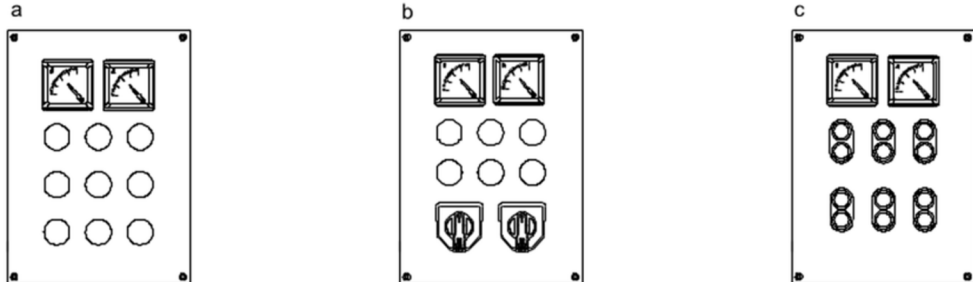
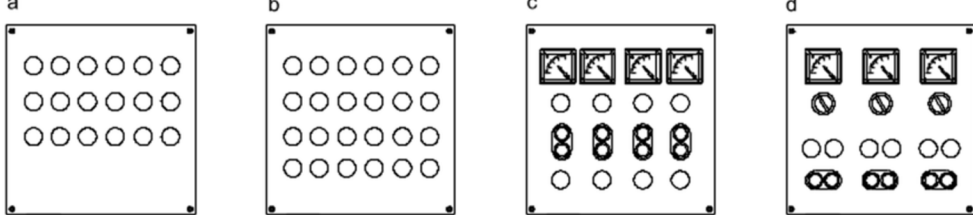
<b>Ex marking</b>	<b>Gas</b>	Ex II2 G Ex db eb IIC T6 Gb	Ex db eb IIC T6 Gb
	<b>Dust</b>	Ex II2 D Ex tb IIIC T80°C Db	Ex tb IIIC T80°C Db
<b>Conformity to standards</b>	IEC60079-0, IEC60079-1, IEC60079-7, IEC60079-31 EN60079-0, EN60079-1, EN60079-7, EN60079-31		
<b>Enclosure materials</b>	<b>Enclosure</b>	Stainless steel(Standard 304, if 316 is needed, please indicate)	
	<b>Rain Shade</b>	Bended steel plate surface powder coated, industrial grey with dark lines texture (RAL7035)or stainless steel 304/316, please note when needed.	
<b>Exposed fastener</b>	Stainless steel, anti-drop structure.		
<b>Rated Voltage</b>	Max. 415V AC, 250V DC		
<b>Rated Current</b>	6A, 10A, 16A		
<b>Wire diameter</b>	≤6A: 0.75~ 2.5mm <sup>2</sup>		
	6A<I≤10A: 1.5~ 2.5mm <sup>2</sup>		
	10A<I≤16A: 2.5mm <sup>2</sup>		
<b>Degree of protection</b>	IP66		
<b>Ambient temperature</b>	-40°C ~ +40/45/50/55/60/65/70°C		
<b>Built-in components</b>	TL-EX-FH-0101 explosion-proof control button		
	TL-EX-FH-0102 explosion-proof signal lamp		
	TL-EX-FH-0101-S explosion-proof control switch		
	TL-EX-FH-0109 explosion-proof ammeter		
<b>Installation method</b>	Hanging type, stand type		
<b>Cable entries</b>	Hanging type	M16x1.5-M63x1.5 The cable gland is not available when delivery, please indicate if necessary	
	Stand type	Only for G1 thread	

### 4 Components and Accessories

				
TL-EX-FH-0101- Control button	TL-EX-FH-0101-A2 Two control button	TL-EX-FH-0102- Signal lamp	TL-EX-FH-0101-A control button with signal lamp	
				
TL-EX-FH-0109- Ammeter	TL-EX-FH-0155 Switch	φ38 operating handle	φ65 Operating handle (padlock available)	Square operating handle

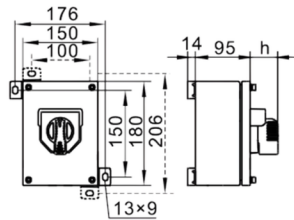
## TL-EX-FH-BX02-Series Explosion-proof Control Station

### 5 Selection Table

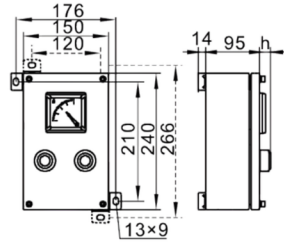
Code	Component layout
03	
07	
11	
15	
19	
21/25	

## TL-EX-FH-BX02-Series Explosion-proof Control Station

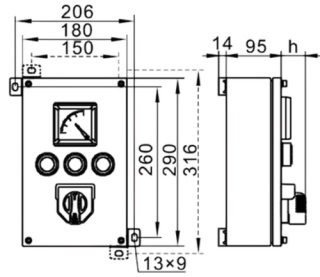
### 6 Outline and Installation Dimension (Dimension in mm)



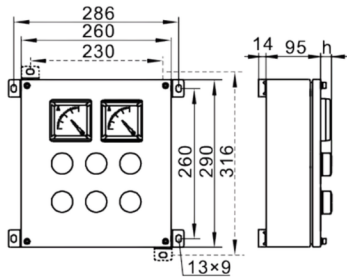
Enclosure 03



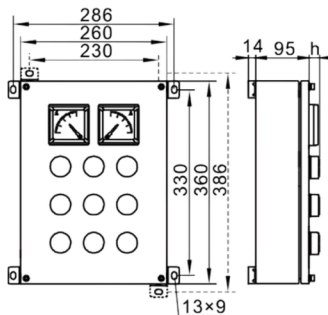
Enclosure 07



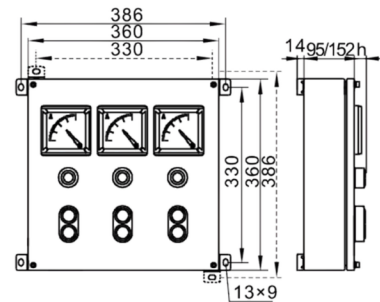
Enclosure 11



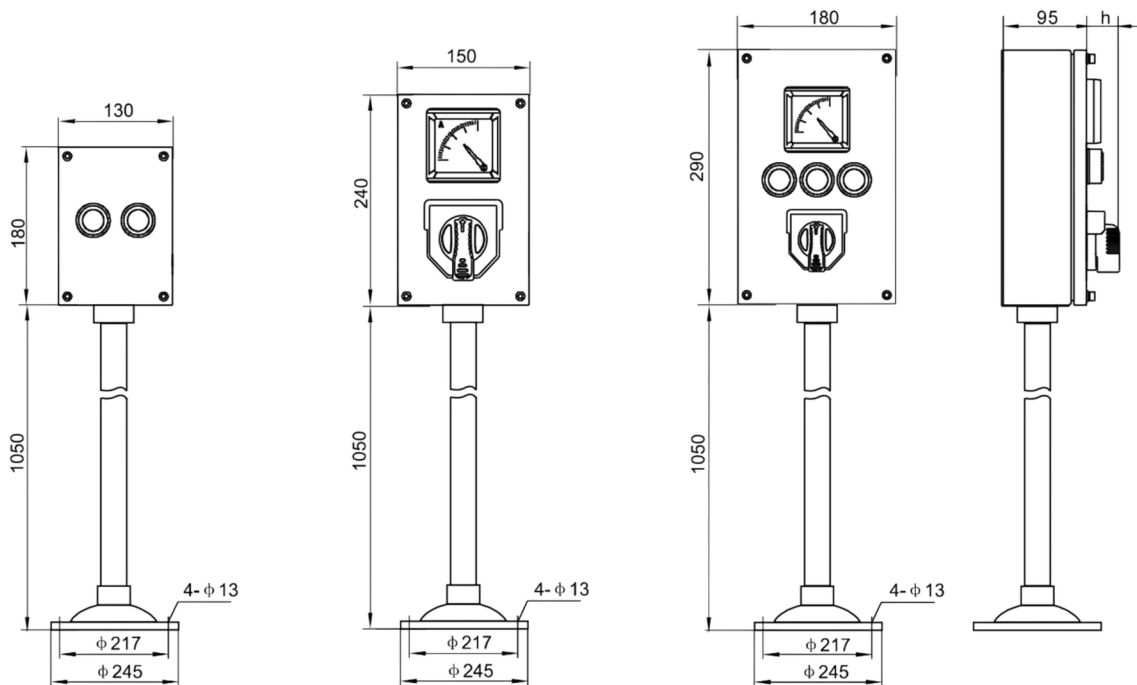
Enclosure 15



Enclosure 19



Enclosure 21/25



### 7 Height of electrical accessories

Electrical accessories	Frame of ammeter	Standard button	Double button	Button with key	Self-lock button	Mushroom button	Mushroom button with key	Indicator light	Illuminated button	Control switch S1,S3	Control switch S2	Potentiometer (single turn)	Potentiometer (multi turn)
h(mm)	11	20.5	21.5	38(62)	40	32	45(69)	23.5	20.5	40	42	27	40.5